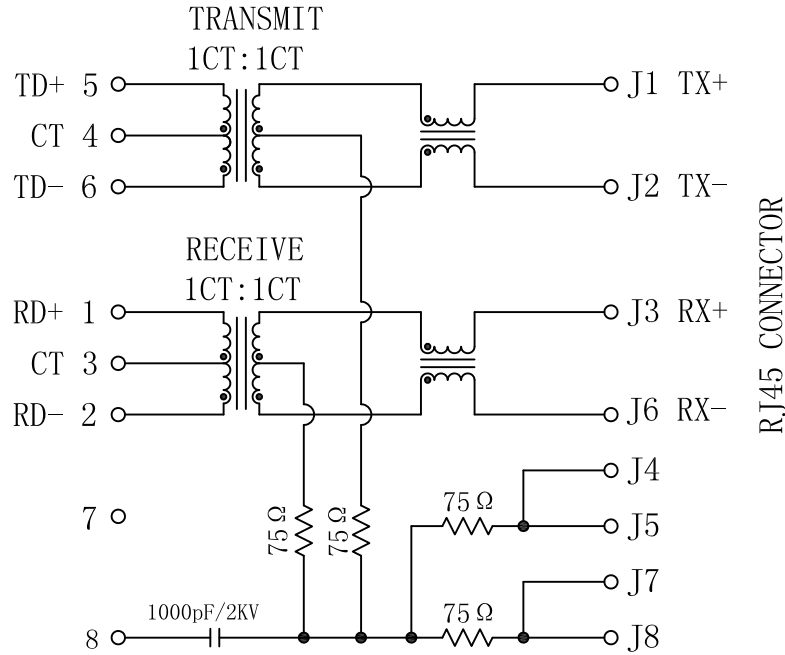


# Schematic:

REV.	ECN NO.	DESCRIPTION	DATE	APPD
A	REL		2014-07-22	

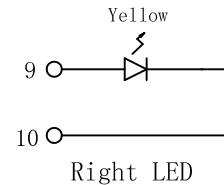
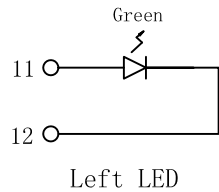
PC BOARD CONNECTIONS



RJ45 CONNECTOR

## Electrical Specifications @25°C

- Turns Ratio ( $\pm 2\%$ ) :  
TX=1CT:1CT      RX=1CT:1CT
- Primary Inductance(1-2, 5-6): 350uH Min  
@100KHz, 0.1Vrms, 8mA DC bias
- Insertion Loss:  
0.5-100MHz: -1.1dB Max
- Return Loss(dB Min):  
0.5-30MHz:-18;  
30.1-60MHz:-18-20LOG(f/30)  
60.1-80MHz:-12
- Crosstalk(dB Min):  
0.5-40MHz: -35  
40.1-100MHz: -33-20LOG(f/50)
- Common Mode Rejection Ratio:  
0.5-100MHz: -30dB Min
- Hipot Test: 1500Vrms
- Operating Temperature: 0°C ~70°C.

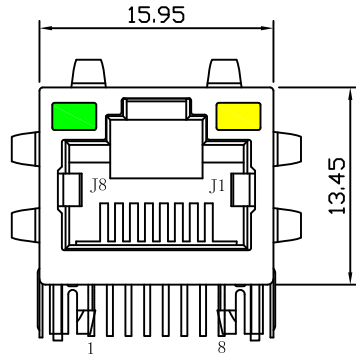


Emitting Color	$\lambda$ p(nm)	VF@IF=20mA	IR @VR=5V
Green	570	1.8~2.6V	10 $\mu$ A max
Yellow	585	1.8~2.6V	10 $\mu$ A max

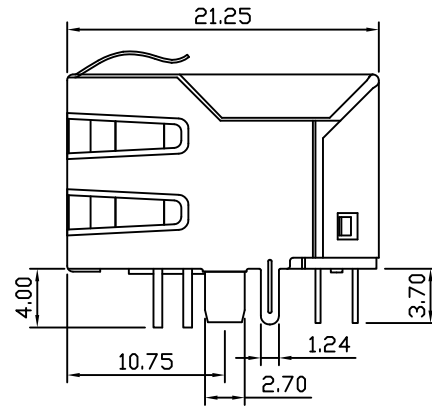
X:X $\pm 0.30$	APPD:	LINK-PP INT'L TECHNOLOGY CO., LIMITED		
X:XX $\pm 0.25$	CHKD:	TITLE: RJ45 Connector with 10/100 Base-T Integrated Magnetics		
X:XXX $\pm 0.05$	DR: TOM	PART NO.: LPJ16264AENL		
ANGLES $\pm 1^\circ$	UNIT: mm			
	SCALE: 2/1	SHEET: 1/2	REV: A	DWG NO.: LP14072225

# Mechanical:

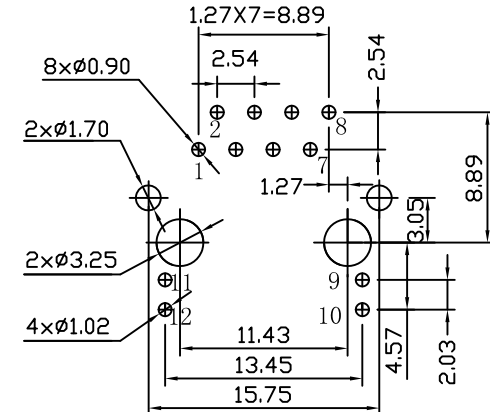
REV.	ECN NO.	DESCRIPTION	DATE	APPD
A	REL		2014-07-22	



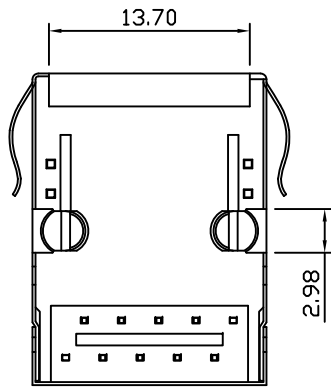
Front Side View



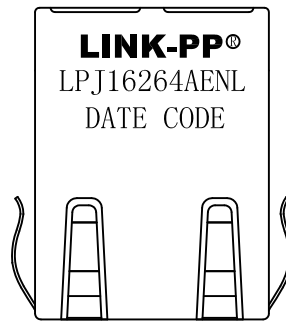
Left Side View



Suggested PCB Layout (Top View)



Bottom Side View



Top Side View

### NOTES:

1. Designed to support application, such as SOHO (ADSL modems), LAN-on-Motherboard (LOM), hub and Switches.
2. Meets IEEE 802.3 specification
3. Connector Materials:  
 Housing: Thermoplastic PBT+30%G.F UL94V-0  
 Contact: Phosphor Bronze C5210R-EH Thickness=0.35mm  
 Pins: Brass C2680R-H Thickness=0.35mm  
 Shield: SUS 201-1/2H Thickness=0.2mm  
 Contact plating: Gold 6 micro-inches min. In contact area.
4. Wave solder tip temperature: 265°C Max  
 Wave solder tip temperature time: 5 Sec Max

X:X ±0.30	APPD:	LINK-PP INT'L TECHNOLOGY CO., LIMITED
X:XX ±0.25	CHKD:	
X:XXX ±0.05	DR: TOM	TITLE: RJ45 Connector with 10/100 Base-T Integrated Magnetics
ANGLES ±1°	UNIT: mm	PART NO.: LPJ16264AENL
	SCALE: 2/1	SHEET: 2/2
	REV: A	DWG NO.: LP14072225

Sales Department A-B2

Sales Engineer / Summer Ming - 明夏

Tel: 0086-752-3322915      Mob: 0086-180-2668-6530

Fax: 0086-752-3161926

E-mail: Summer@link-pp.com

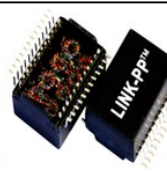
www.link-pp.com

LINK- PP INT'L TECHNOLOGY CO., LIMITED

Jia An Industrial Park, Chenjiang Rd, Zhongkai Hightech Zone, Huizhou City,  
516003, China



  
**RoHS**



LINK- PP INT'L TECHNOLOGY CO., LIMITED

Seris : LPJXXXXXXXX / LPXXXXXXXX / LPAXXXXXXX